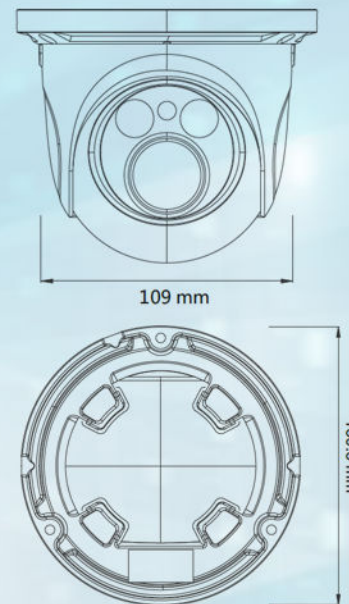


# 4.0MP IP IR DOME CAMERA IPC4-D545M



## Specification

Sensor	1/3" CMOS Sensor
Lens	3.3-12mm motorized
Video Processing	H.265 / H.264 / MJPEG
Video Resolution	4MP ( 2592 × 1520 ), 2K ( 2560 × 1440 ), 3MP ( 2304 × 1296 ), 1080P ( 1920 × 1080 ), 720P ( 1280 × 720 ), D1, CIF, 480 × 240
Video Output	CVBS video output ( BNC × 1 )
Audio	MIC IN × 1
Network Port	10M/100M
Network Protocol	TCP / IP, UDP, DHCP, NTP, RTSP, PPPoE, DDNS, SMTP, FTP
Operation	Support Web setting, OSD, real-time video transmission, support motive detection
Standard protocol	Onvif 2.4
Mobile Phone Monitor	Support Iphone, Android
Water-proof	IP66
Power source	POE / DC 12V Regulated Adaptor
Dimension	109(Ø) X 130(D) mm

- 1/3" CMOS Sensor
- 4MP H.265 full real time coding
- True WDR
- Built-in LED IR for Day & Night vision
- 3.3-12mm Mega Pixel Motorized lens
- Vandal Proof IP-66 rated dome
- Multi Axis for mounting at any angle
- Support POE , DC12V
- Support ONVIF agreement
- Support WEB configuration
- Support CVBS video output
- Support motion detection

